

WAHL®
HorseLine



WAHL®

PROFESSIONAL

Please read all instructions carefully to familiarise yourself
with your new clipper before using.

THESE CLIPPERS ARE INTENDED FOR CONSUMER USE ONLY.

Save these instructions for further reference.

For any further assistance or information call Customer Services on

T: 01227 740066

or visit

W: www.wahl.co.uk

E: customer.services@wahl.co.uk

CONTENTS

GENERAL USER INFORMATION	Page 3
IMPORTANT SAFEGUARDS	Page 4
ESSENTIAL INFORMATION	Page 5
GENERAL ADVICE	Page 6
AVALON	Page 7
ADELAR	Page 12
FIGURA	Page 15
BRAVURA	Page 18
TROUBLESHOOTING	Page 21
DISPOSAL	Page 22
GUARANTEE	Page 22
CONTACT	Page 22

GENERAL USER INFORMATION

Information about using the operation manual

- ▶ Before using the appliance for the first time, you must read and understand the operation manual completely.
- ▶ Consider the operation manual as part of the product and store it in a safe and accessible place.
- ▶ Include this operation manual if passing the appliance on to a third party.
- ▶ In the case of conflicts with national safety specifications or instructions, the national requirements must be followed.

Explanation of symbols and notes

**DANGER**

Danger of electric shock which may result in serious physical injury or death.

**DANGER**

Danger of explosion which may result in serious physical injury or death.

**WARNING**

Warning of possible physical injury or a health risk.

**CAUTION**

Information about danger of material damage.



Note with useful information and tips.

- ▶ Action to be taken by owner.
1. Carry out these actions in the sequence described.
- List

Please retain this leaflet for future reference.

READ ALL INSTRUCTIONS BEFORE USING.

IMPORTANT SAFEGUARDS

When using these electrical appliances, especially when children are present, basic safety precautions should always be observed including the following:-

Requirements

- ▶ These appliances can be used by children from aged 14 years and above and persons with reduced physical, sensory or mental capabilities, or lack of experience and knowledge, if they have been given supervision or instruction concerning use of the appliance in a safe way and understand the hazards involved. Children shall not play with the appliance. Cleaning and user maintenance shall not be made by children without supervision.
- ▶ Use this appliance only for its intended purpose.

Hazards



Danger! Electric shock due to damage to appliance

- ▶ Do not operate appliances with a broken cord, plug or charger, or if an appliance malfunctions, or is dropped or damaged in any way.
- ▶ Any servicing or repair must be performed by a suitably qualified professional or returned to Wahl (UK) Limited.
- ▶ The use of attachments that are not supplied by the manufacturer may cause fire, electric shock or injury and damage to the appliance.
- ▶ When using any electrical appliance around animals, Wahl recommend the use of a circuit breaker to minimise risk.



Danger! Electric shock due to penetration of liquid.

To protect against risk of electrical shock, never immerse the unit or let it come into contact with water or any other liquids. Do not use the unit with wet hands. If the appliance should become wet, damp or fall in water, remove plug from mains socket immediately. Do not put your hands in the water. Do not take into bathroom.



Danger of explosion

- ▶ Never use the appliance where aerosol (spray) products are being used or where oxygen is released.
- ▶ Exhausted batteries/ rechargeable batteries should not be disposed of in the household waste. Dispose of them in a completely discharged state in accordance with local legal regulations. Do not throw into fire where heat could cause them to rupture.

**Warning! Injuries due to incorrect handling**

- ▶ Switch off the appliance and unplug from outlet when not in use, before putting on or taking off attachments and also before cleaning the appliance.
- ▶ The blades on your clipper have fine teeth for precise cutting. Handle carefully when using against the animals skin to avoid injury or irritation.
- ▶ These appliances are intended for animal hair trimming and clipping only.
- ▶ Cutting blades may become hot after prolonged use.

**Caution! Danger of product damage**

- ▶ Do not wrap the cord around the appliance / charger.
- ▶ Never carry the unit by its power cord.
- ▶ Do not drop or insert any object into any opening.
- ▶ Use this appliance only for its intended purpose.
- ▶ During use, do not place or leave appliance where it may be damaged by an animal or exposed to weather.
- ▶ Never use your appliance without paying attention! Except when charging, always unplug this appliance from the electricity outlet immediately after using.
- ▶ These products are not designed to be used in commercial areas.
- ▶ The A-weighted sound pressure level is below 70db
- ▶ The vibration level is below 2.5m/s².

ESSENTIAL INFORMATION ABOUT YOUR PRODUCT

For maximum efficiency, durability and satisfaction from Wahl clippers and trimmers, please note the following points:-

1. Prior to using any rechargeable product, ensure you charge the battery pack.
2. Always ensure the horse's coat is dry, as clean as possible and brushed thoroughly to remove grease and dirt particles from the hair.
3. Whilst clipping take time to regularly brush hairs and dirt from the blades.
4. We recommend that you use Wahl Hygienic Spray to ensure grease and dirt particles are washed from the blade surface. This wash should be applied regularly throughout the clip. **DO NOT** use water to clean the blades.
5. Always re-oil the blades after using the Hygienic Spray or cleaning the clipper.
6. Regularly apply a few drops of oil to the blades during clipping and trimming. The oil lubricates the blades and will ensure your clippers and trimmers perform to maximum capacity. Without oil, friction is increased therefore generating heat. If blades are getting hot then insufficient oil is being applied or the blades need cleaning or sharpening.
7. Always clean your machine and blades thoroughly when you have finished clipping. **DO NOT** separate the top and bottom blade when cleaning. This may lead to the tension Shim being dislodged which will stop the cutting process.
8. If your machine has an air filter, check the filter is clear of obstructions to avoid overheating the motor.
9. Disconnect all cables and store your clipping kit in a dry temperate environment.

10. Always oil your blades before use and before storing to prevent atmospheric moisture causing damage to the blade surface.

i BLADES

The blades are the single most important part of a clipper or trimmer and must be well maintained at all times for maximum cutting performance.

Cutting hair does not blunt the blades. Abrasive particles on the animal's coat, such as dirt, sand, grease, etc will blunt the blades.

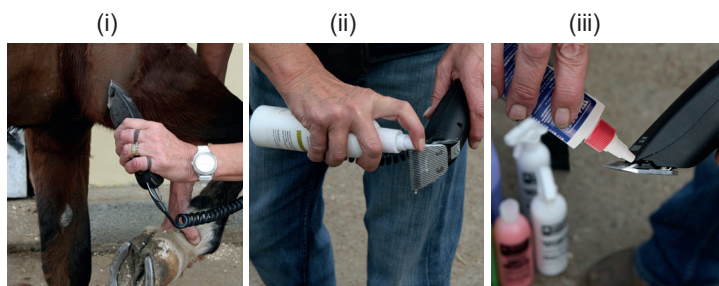
Blades will not cut if abrasive particles are picked up and carried by the oil film between the blades. These particles tend to separate the blades from each other and pull the hair as opposed to cutting it cleanly.

Keeping your blades well oiled performs the following important functions:-

- Provides a low friction, very thin film lubricant between the cutting blades so that the blades can take a full cutting stroke without becoming hot from frictional heat.
- Flushes abrasive particles and hairs out from between the blades.
- If you cut into dirt, immediately clean your blades with Wahl Hygienic Spray or Wahl Clipper Oil to flush out the dirt.

i GENERAL ADVICE ON CLIPPING & TRIMMING

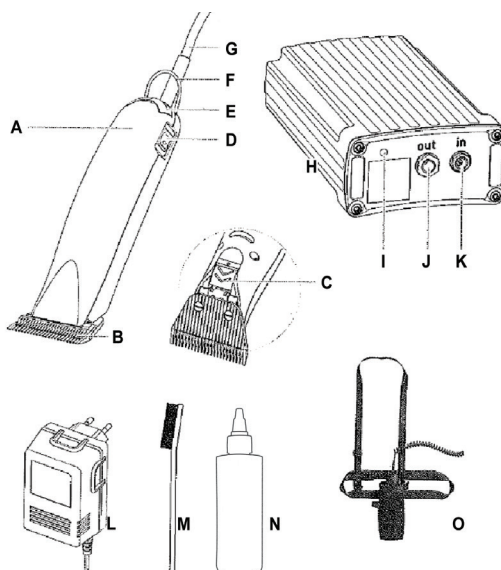
1. Ensure the horse is dry, as clean as possible and brushed thoroughly.
2. Ideally have a responsible person to hold the horse whilst you clip or trim.
3. Position the clipper / trimmer with the blade flat to the coat surface thus the clipper body is at a 45° angle.
4. Without applying any downward pressure, pass the clipper through the coat working against the lay of the hair.
5. Do not push the clipper through the coat too quickly – this may cause hairs to get between the blades and separate them, which will reduce performance.
6. Always keep the flat surface of the blades against the coat – do not push the teeth of the blades into the coat or operate the clipper / trimmer at a 90° angle.
7. When negotiating areas with folds of skin (elbows, chin etc) pull out the skin to avoid the folds catching between the blades and cutting the animal. See page 7 (i).
8. Regularly use the cleaning brush to flick away any hair from the blades and apply oil frequently.
9. Apply blade wash to rinse through any dirt and grease. Wipe away excess liquid. See page 7 (ii).
10. Always apply clipper oil to the blades before re-starting the clippers. See page 7 (iii).
11. Never adjust the screws or tension system on the blade set.
12. Do not separate the top and bottom blade. This will affect the factory-set tensioning and may reduce performance.
13. Do not cover the air intake filter at the base of the clipper or allow this to become clogged.



AVALON

DESCRIPTION OF PARTS

- A. Horse Clipper
- B. Blade Set
- C. Blade Set Release Button
- D. On/Off Switch
- E. Air Filter
- F. Hanging Loop
- G. Cable
- H. Battery Pack
- I. Charge Monitoring Display
- J. Connection bush (OUT) for handheld device
- K. Charging Bush (IN) for transformer connection
- L. Connector Transformer
- M. Cleaning Brush
- N. Blade Oil
- O. Carrier Belt



Before each use, always oil the blades, using Wahl Clipper Oil. When clipping horses coats for long periods of time, the cutting blades must be cleaned and re-oiled at regular intervals. Only connect clipper to the battery pack when the appliance is in the "off" position. Switch the appliance off after use and disconnect from the power source.

CHARGING THE BATTERY PACK

A separate battery pack supplies your clipper with power.

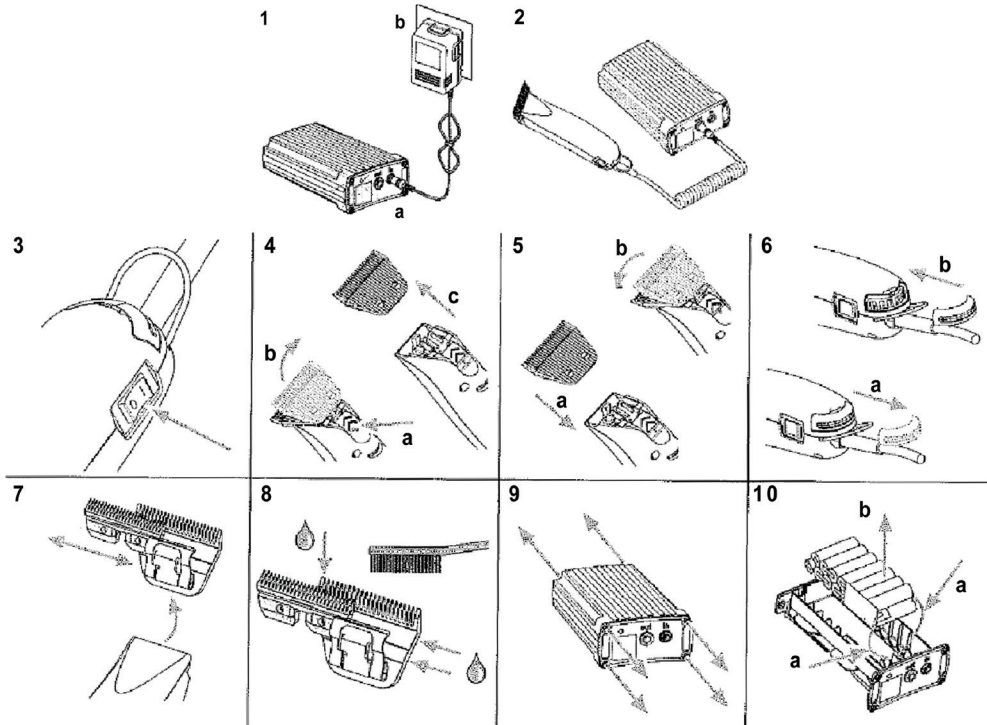
1. Your battery pack should be charged for at least 3 hours prior to use.
2. Disconnect device from battery pack after use.
3. Plug device plug connector or connector transformer into charging bush (IN) of battery pack (Fig. 1a).
4. Plug connector transformer into socket (Fig.1b). The charge monitoring display (I) on battery pack lights up.
5. Once charging process is complete, charge monitoring display (I) on battery pack starts to flash.

6. It should take around 3 hours for the appliance to fully charge to full capacity if the battery is empty.
7. Once the battery pack has been fully charged, the horse clipper can then be used for more than 2.5 hours. This capacity is reached after approx 5 charging cycles.

i NOTE. The battery may lose charge over time. Wahl therefore recommend you recharge the battery prior to use for maximum running time.

NOTE ON Ni-MH BATTERIES

This battery pack contains environmentally-friendly metal hydride batteries that are free from lead, cadmium and mercury. A prolonged storage period with too low a charge status can have a negative effect on the lifetime of the battery. For this reason, if you do not use your machine for a longer period of time (2-3 months), you should fully charge the battery pack before an extended storage period. It is also recommended that the battery pack be recharged after approx 2 - 3 months in order to extend the lifetime of the batteries.



OPERATING INSTRUCTIONS

1. If required put on the belt harness. The fastening clip can be used to secure the battery pack to the belt. The clipper may be placed in the holding pouch if required.
2. Ensure the clipper is switched off before attaching to the power supply.
3. Connect the plug from the clipper into battery socket marked 'OUT' (Fig. 2.)
4. Attach the blade onto the clipper following the instructions on page 9.
5. Ensure the blade is oiled before switching the clipper on.
6. Use the on / off button at the base of the clipper to switch on the device (Fig. 3.)

7. When clipping we recommend the blades are cleaned and re-oiled at regular intervals.
8. Never use a blade that is damaged in any way as this may cause injury.
9. Always switch the appliance off and disconnect from the power supply when you have finished using it.

BLADES – Avalon

To maintain maximum cutting performance and durability of your clippers, the blade set must be cleaned and oiled regularly.

Never use a blade set that is damaged in any way as this may cause injury.

Whilst in use we recommend the blades are cleaned and oiled at least every 15 minutes.

ATTACHING THE BLADE SET

1. For optimum performance we recommend that blades produced by Wahl or Moser are used with the Avalon clipper.
2. Ensure the clipper is switched off.
3. Ensure the blade clip is clear of the hinge assembly. The blade set can only be attached when the clip is open. If the clip has closed flat, insert a small knife or screwdriver between the hinge assembly and the clip and prise it upwards. Ensure you only apply upward pressure to the clip.
4. Place the blade onto the clip (Page 8 Fig 5a). There is a clear space at the base of the blade into which the clip will slide.
5. Close the clip by applying pressure to the flat surface of the blade (Page 8 Fig. 5b). Do not hold the cutting edges as you may cause injury.
6. The blade may not lock into position as it closes. In this event switch the clipper on and apply pressure to the large flat surface of the blade pushing firmly towards the clipper (Page 8 Fig.5b) until you hear it snap into place and a smooth operating noise is audible.
7. If the blade is noisy or rattles when the clipper is switched on then it is not locked into position correctly.
8. Always oil blades before use (Page 8 Fig 8).

REMOVING THE BLADE SET

1. Hold the clipper in an upright position with the back of the appliance facing you.
2. Press the release button (Page 8 Fig. 4a) upwards towards the blade and with the other hand, carefully push the blade set towards you (Page 8 Fig. 4b).
3. Lift the blade set upwards from the clip (Page 8 Fig. 4c).

CLEANING THE BLADE SET

To maintain maximum cutting performance and durability, the blade set must be cleaned and oiled regularly. **DO NOT** use a blade set that is damaged in any way as this may cause injury. Whilst in use we recommend the blades are cleaned and oiled at least every 15 minutes.

1. Switch the clipper off.
2. Remove hair from the blades with the cleaning brush (Page 8 Fig. 8).
3. Use the Hygienic Spray to flush through any grease and dirt.
4. Wipe excess fluid from the blades with a cloth.
5. Apply clipper oil before commencing clipping again (Page 8 Fig. 8).
6. **DO NOT** adjust the screws on the blade set.
7. **DO NOT** push the top and bottom blade apart to separate totally (Page 8 Fig. 7).

CLEANING THE AIR FILTER

To ensure a good supply of air to the motor it is essential that the air filter is cleaned regularly.

1. Remove the filter cover (Fig.6a) and clean the air filter with the cleaning brush.
2. Re-insert the filter cover until it locks into position (Fig. 6b).

GENERAL MAINTENANCE

- Regularly clean hair clippings from the blade and keep air filters clear.
- Inspect the Hinge and Latch for damage and/or signs of wear.
- Inspect the Drive Lever for signs of wear and/or damage.
- Examine any cables for damage or breaks.
- The clippers / trimmers will require regular servicing to maintain performance.
- Blunt blades will seriously affect the ability of the clippers and trimmers. Blades should be sharpened or replaced regularly.

CLEANING AND MAINTENANCE

At the end of each use or if the blade becomes clogged or blocked, it should be thoroughly cleaned as follows:-

1. Switch the clipper off and remove the blade set from the clipper.
2. Push the top blade to the side (Page 8 Fig. 7) and remove hairs from both blades using the cleaning brush (Fig. 8). Do not separate the blades completely as this will affect the factory set tensioning and may reduce performance
3. After cleaning, return the top blade to the centre.
4. Hold the blade on it's side and apply the Hygienic Spray to the top of the blade allowing the liquid to flush away any dirt or grease.
5. Wipe away any excess fluid from the blade.
6. Oil the blades with Wahl Clipper Oil, Wahl recommend that only oil specifically designed for use with clippers is used to lubricate the clipper blades.
7. The top blade should be aligned in the centre of the bottom blade. Do not adjust the screws on the blade, these should only be adjusted by a qualified technician.
8. Attach the blade set to the clipper for continuing use or store the blade in a dry environment.

i NOTE: The application of oil to a stored blade will eliminate the risk of pitting or rust damage caused by moisture in the atmosphere.

Regular cleaning will ensure a long service life for your clipper.

Always disconnect from the power source prior to cleaning.

We recommend using Hygienic Spray to degrease and clean blades.

Do not use solvents or scouring agents to clean any part of your clipper or blades.

Water based lubricating solutions should not be used to oil the blades.

Never operate your clippers without applying oil to the blades.

Repeated oil application should be carried out during the clipping process.

We recommend that your clipper is stored in a dry area and blades are removed.

Operating your clipper without full battery power or blunt blades may damage the motor and will impede the performance.

Wahl recommend that this product is serviced by a qualified technician regularly to maintain performance and efficiency. (Manufacturer contact details on page 22.)

The clipper case may be cleaned with a soft cloth, which may be dampened slightly. Do not use solvents or scouring agents as this will damage the coating.

CLIPPER TROUBLESHOOTING

CLIPPER WILL NOT OPERATE

- Avalon Ensure the battery is fully charged and the mains adaptor is working correctly.
Ensure the plug from the clipper is fully inserted into the battery pack.

AVALON CLIPPER WILL NOT CUT OR IS PULLING THE HAIR

- ✓ Check the cutting blade (top) is moving when the clipper is operating.
- ✓ Is the latch retaining the blade?
- ✓ Can the blade be removed without pressing the blade release button?
- ✓ Is the clipper making excessive noise and rattling?

All the above indicate that the blade is not locked onto the clipper correctly.

Remove it and follow the instructions on page 9.

- ✓ Check the plastic shim is still present on the end of the tension arm where it makes contact with the cutting blade. If this piece of plastic is missing (usually caused when the blades are separated) then blade tension will be lost and the blade will not cut.

CLIPPER WILL NOT CUT OR IS PULLING THE HAIR

- ✓ Insufficient oil or the blades are clogged – If you hear the clipper begin to slow down or labour it is essential that you clean the blade and add more oil.
- ✓ The blade may be blunt and require sharpening or replacing.
- ✓ The horse's coat may not be dry, we recommend you wait and try again later.

CANNOT ATTACH THE BLADE TO THE AVALON CLIPPER

- ✓ Is the hinge latch snapped shut, if so gently prise it open with a flat blade screwdriver.
- ✓ Check for signs of wear or damage to the hinge or blade assembly.

CLIPPER IS MAKING EXCESSIVE NOISE

- ✓ The blade is not attached correctly.
- ✓ The drive tip may need replacing.

CLIPPER IS GETTING HOT

- ✓ There is insufficient oil on the blades.
- ✓ The blades are dirty and unable to move freely.
- ✓ The battery pack needs to be recharged.
- ✓ The blades are blunt and putting excessive stress on the motor.
- ✓ The air vents are blocked.
- ✓ The clipper is in need of servicing.

TRAMLINES ON THE HORSE

- ✓ There is damage to the blade, possibly a tooth missing – **Stop** – this is dangerous to use.
- ✓ Uneven pressure on the clippers as the user passes them through the coat.
- ✓ There is insufficient overlap between one clipping sweep and the next.
- ✓ The clippers are not being used directly against the lie of the coat.
- ✓ The user is not keeping the flat surface of the blade against the horse.

WIRING

WARNING: If the supply cord is damaged it must be replaced by a qualified technician or returned to the manufacturer in order to avoid a hazard.

This product must only be used with the transformer supplied.

Should a replacement be required contact the manufacturer (Details on page 22).

ADELAR

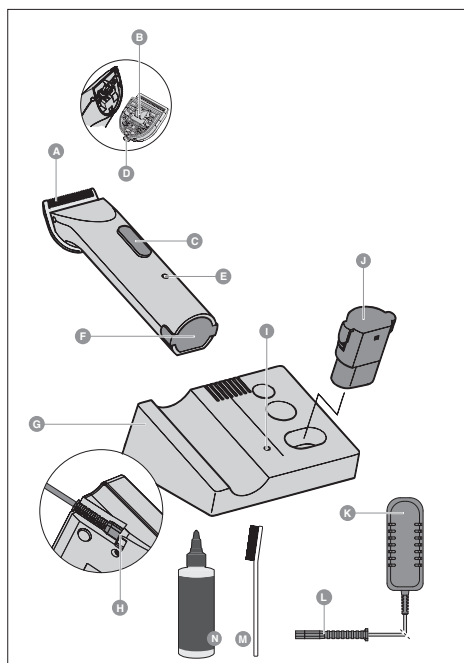
DESCRIPTION OF PARTS

- A. Blade set
- B. Cleaning lever
- C. On/off switch
- D. Cutting-length adjustment
- E. Battery charge indicator
- F. Battery pack
- G. Charging stand
- H. Charging stand socket
- I. Charging indicator
- J. Interchangeable battery pack
- K. Plug-in transformer
- L. Appliance plug
- M. Cleaning brush
- N. Oil for blade set

CHARGING THE BATTERY

A separate battery pack supplies your trimmer with power.

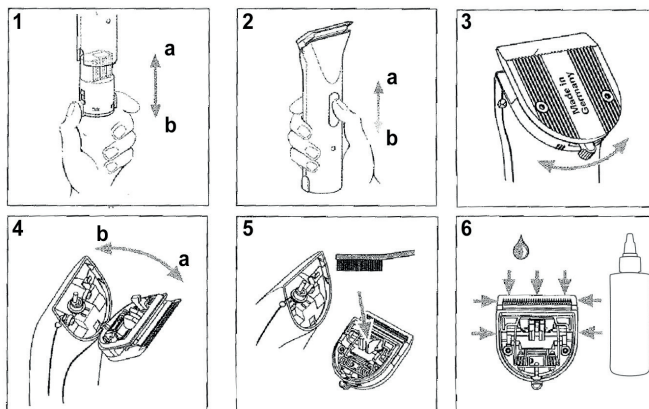
1. Before the trimmer is used for the first time, each battery pack should be charged for approximately 1½ hours.
2. Plug the battery charging unit into the mains power supply.
3. The battery pack should be removed from the trimmer by pressing the release buttons at the side and sliding it away from the trimmer unit (Fig 1a).
4. Place the battery pack into the charging unit. The red charge indicator light (I) on the battery charger (G) will light up.
5. When the battery is fully charged the red charge indicator light (I) will flash to indicate charging is complete.
6. Remove the battery pack from the charging unit and insert it into the trimmer case until it clicks into position (Fig. 1b).
7. Once fully charged the trimmer will provide approximately 50 minutes of constant use.
8. Recharging of the battery is necessary when the 'battery level' display (E) lights up during operation. This indicates the battery has a remaining capacity of 15%.
9. The second battery supplied with this trimmer may be left on the charging stand indefinitely as it cannot be over-charged.



i NOTE: In order to prolong the service life of the batteries we recommend that they are only recharged when the red battery level display on the trimmer lights up.

OPERATING INSTRUCTIONS

1. Ensure the trimmer is switched off before inserting the battery.
2. Attach the blade onto the trimmer following the instructions below.
3. Ensure the blade is oiled before switching the trimmer on.
4. Use the on / off switch in the middle of the trimmer to switch the device on (Fig. 2a).
5. This trimmer has the capacity to vary the length of hair that it leaves. In order to adjust the blade setting to leave between 0.7mm and 3mm the blade adjustment lever (Fig. 3.) must be moved.
6. To achieve the closest clip (0.7mm) the blade adjustment lever should be positioned to the right.



7. To achieve the longest clip (3mm) the blade adjustment lever should be positioned to the left.
8. Position the trimmer with the blade flat to the coat surface and the trimmer body at 45° angle to the clipping area.
9. Without applying any downward pressure, pass the trimmer through the coat working against the lay of the hair.
10. Do not push the trimmer through the coat too quickly – this may cause hairs to get between the blades and separate them, thus reducing performance.
11. Always keep the flat surface of the blades against the coat – do not push the teeth of the blades into the skin or operate the trimmer at a 90° angle.
12. When negotiating areas with folds of skin (elbows, chin etc) pull out the skin to avoid the folds catching between the blades and cutting the animal.
13. When trimming we recommend the blades are cleaned and re-oiled at regular intervals.
14. Never use a blade that is damaged in any way as this may cause injury.
15. Always switch the appliance off when you have finished using it.

ATTACHING THE BLADE SET

1. For optimum performance we recommend that blades produced by Wahl or Moser are used with the Adelar trimmer.
2. Ensure the trimmer is switched off.
3. The small clip at the base of the blade above the blade adjustment lever should be aligned with the indentation on trimmer case.
4. Lock the blade into place by pushing the blade towards the clipper until it snaps shut (Fig.4b).

REMOVING THE BLADE SET

1. Hold the trimmer firmly in one hand with the switch facing you.
2. Apply downward pressure to the centre of the blade pushing it away from the trimmer casing (Fig. 4a).
3. Take care to prevent the blade falling by placing your free hand under the blade to catch it.

CLEANING THE BLADE SET

1. Switch the trimmer off.
2. Remove the blade set from the trimmer as described above.
3. Press the cleaning lever (Fig. 5) to remove cut hairs from between the blades with the cleaning brush.

4. We recommend the use of a Hygienic Spray to flush through grease and dirt.
5. Wipe excess fluid from the blade with a cloth.
6. Apply clipper oil before replacing the blade onto the trimmer (Fig. 6.)

GENERAL CLEANING AND MAINTENANCE

Regular cleaning will ensure a long service life for your trimmer.

The charging contacts on the trimmer and charging stand must always be kept clean.

We recommend using the Hygienic Spray to degrease and clean blades.

Do not immerse this equipment in water.

The clipper case may be cleaned with a soft cloth, which may be dampened slightly.

Do not use solvents or scouring agents to clean any part of your clipper or blades.

Water based lubricating solutions should not be used to oil the blades.

Never operate your trimmers without applying oil to the blades before and after every use –

Always oil blades before storing the trimmer.

Repeated oil application should be carried out during the trimming process.

We recommend that your trimmer is stored in a dry area and blades are removed.

If the cutting performance deteriorates after long use despite regular cleaning and oiling, the blade set should be replaced.

Operating your trimmer with blunt blades may damage the motor and will impede the performance.

Wahl recommend that this product is serviced regularly by a qualified technician or the manufacturer to maintain performance and efficiency. (Manufacturer contact details on page 22.)

i NOTE: The application of oil to a stored blade will eliminate the risk of pitting or rust damage caused by moisture in the atmosphere.

Only replace a blunt or damaged blade set with Wahl or Moser blades. Replacements may be ordered through your dealer, service centre or from Wahl (UK) Ltd.

(Contact details on page 22).

i NOTE: Always oil new blades before use.

FIGURA

DESCRIPTION OF PARTS

- A. Blade set
- B. On/Off Switch
- C. Charge indicator
- D. Charging stand with transformer
- E. Blade guard
- F. Cleaning Brush
- G. Blade Oil



CHARGING THE TRIMMER

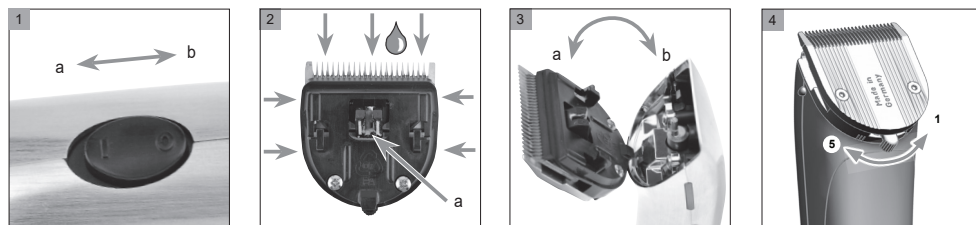
Before the appliance is used for the first time, it should be charged for 3-5 hours. It will then take 3 hours to fully recharge the battery again.

1. Plug the transformer into the back of the battery charging stand and then into the mains power supply.
2. Place the trimmer into the charging stand ensuring that charging contact is made. During charging the charging indicator (C) is illuminated.
3. When charging is almost complete the charging indicator will blink and may switch off when the unit is fully charged.

i NOTE: If the appliance is fully charged and is placed in the stand to charge, the charging indicator may not turn on. This does not indicate the appliance can no longer charge, it means the appliance does not need to draw electricity because it is already charged.

OPERATING INSTRUCTIONS

1. Remove the trimmer from the charging stand.
2. Switch on the appliance using the on/off switch (Fig 1a) and, after use, switch it off again (Fig 1b). When the battery is fully charged, the appliance can be used for up to 90 minutes.
3. Ensure the blade is oiled before switching the trimmer on.



4. This trimmer has the capacity to vary the length of hair that it leaves. In order to adjust the blade setting to leave between 0.7mm and 3mm the blade adjustment lever (Fig. 4.) must be moved.
5. To achieve the closest clip (0.7mm) the blade adjustment lever should be positioned to the right.
6. To achieve the longest clip (3mm) the blade adjustment lever should be positioned to the left.

7. Position the trimmer with the blade flat to the coat surface and the trimmer body at 45° angle to the clipping area.
8. Without applying any downward pressure, pass the trimmer through the coat working against the lay of the hair.
9. Do not push the trimmer through the coat too quickly – this may cause hairs to get between the blades and separate them, thus reducing performance.
10. Always keep the flat surface of the blades against the coat – do not push the teeth of the blades into the skin or operate the trimmer at a 90° angle.
11. When negotiating areas with folds of skin (elbows, chin etc) pull out the skin to avoid the folds catching between the blades and cutting the animal.
12. When trimming we recommend the blades are cleaned and re-oiled at regular intervals (Fig 2).
13. Never use a blade that is damaged in any way as this may cause injury.
14. Always switch the appliance off when you have finished using it.

ATTACHING THE BLADE SET

1. For optimum performance we recommend that blades produced by Wahl or Moser are used with the Figura trimmer.
2. Ensure the trimmer is switched off.
3. The small clip at the base of the blade above the blade adjustment lever should be aligned with the indentation on trimmer case. (Fig 3)
4. Lock the blade into place by pushing the blade towards the clipper until it snaps shut (Fig.3b)

REMOVING THE BLADE SET

1. Hold the trimmer firmly in one hand with the switch on the left.
2. Apply downward pressure to the centre of the blade pushing it away from the trimmer casing (Fig. 3a).
3. Take care to prevent the blade falling by placing your free hand under the blade to catch it.

CLEANING THE BLADE SET

1. Switch the trimmer off.
2. Remove the blade set from the trimmer as described above.
3. Press the cleaning lever (Fig. 2a) to remove cut hairs from between the blades with the cleaning brush.
4. We recommend the use of a Hygienic Spray to flush through grease and dirt.
5. Wipe excess fluid from the blade with a cloth.
6. Apply clipper oil before replacing the blade onto the trimmer (Fig. 2.).

GENERAL CLEANING AND MAINTENANCE

Regular cleaning will ensure a long service life for your trimmer.

The charging contacts on the trimmer and charging stand must always be kept clean.

We recommend using the Hygienic Spray to degrease and clean blades.

Do not immerse this equipment in water.

The trimmer case may be cleaned with a soft cloth, which may be dampened slightly.

Do not use solvents or scouring agents to clean any part of your trimmer or blades.

Water based lubricating solutions should not be used to oil the blades.

Never operate your trimmers without applying oil to the blades before and after every use.

Always oil blades before storing the trimmer.

Repeated oil application should be carried out during the trimming process.

We recommend that your trimmer is stored in a dry area and blades are removed.

Operating your trimmer with blunt blades may damage the motor and will impede the performance.

If the cutting performance deteriorates after long use despite regular cleaning and oiling, the blade set should be replaced.

Wahl recommend that this product is serviced regularly by a qualified technician or the manufacturer to maintain performance and efficiency. (Manufacturer contact details on page 22.)

LITHIUM BATTERY REPLACEMENT, REMOVAL AND DISPOSAL

LITHIUM-ION BATTERY REPLACEMENT

For battery replacement the entire, intact clipper or trimmer should be sent to: Wahl (UK) Ltd Customer Services (the address can be found on page 22) or taken to a suitably qualified professional. The battery should only be replaced by the original manufacturers spare, for safety reasons a substitute should not be used.

Do not attempt to remove the battery. Lithium-Ion batteries can explode, catch fire, and/or cause burns if disassembled, damaged or exposed to water or high temperatures.

LITHIUM BATTERY DISPOSAL

Do not dispose of this product or the Lithium battery in the normal household waste.

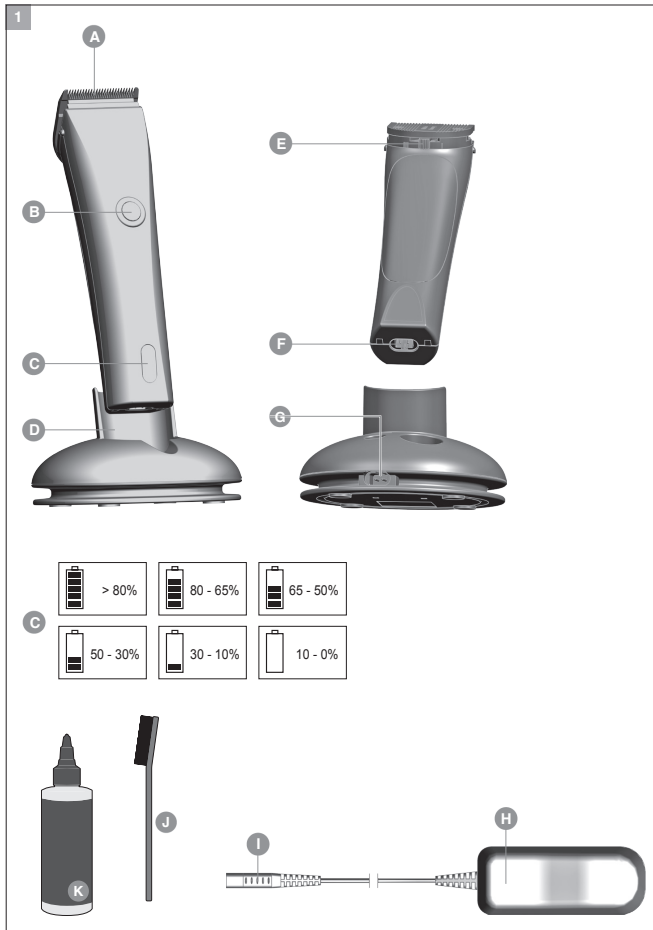
The product should be returned to Wahl Customer Services where we offer a take back service or taken to a local collection facility where they will be dealt with safely and sent for the appropriate recycling.

BRAVURA

DESCRIPTION OF PARTS

- A. Blade set
- B. On/off switch
- C. Battery power indicator
- D. Charging stand
- E. Cutting-length adjustment
- F. Appliance socket
- G. Charging stand socket
- H. Plug-in transformer
- I. Appliance plug
- J. Cleaning brush
- K. Oil for blade set

* Attachment combs are optional accessories and can vary from model to model.





CHARGING THE BATTERY

1. Connect the appliance plug (I) on the plug-in transformer to the charging stand socket (G) (Fig. 4a).
 - The appliance can also be connected directly to the plug-in transformer for charging (Fig. 2a/b).
 - Battery overcharging is prevented thanks to intelligent charge management.
2. Connect the plug-in transformer to the mains socket (Fig. 4a).
3. Switch off the appliance using the on/off switch (Fig. 3a).
4. Place appliance on the charging stand (Fig. 4) or connect directly to the plug-in transformer (Fig. 2a/b). A signal will sound and the charging process begins.
5. Depending on the charge status, the corresponding segment of the battery power indicator will flash during the charging process. Once the battery is fully charged, all segments of the battery power indicator will remain lit continuously.
6. After the appliance has been removed from the charging stand, the display goes out after approx. 30 seconds (power saving mode).
7. It should take around 60 minutes for the appliance to charge to full capacity.
8. Once the battery is fully charged, a signal will sound

BATTERY OPERATION

1. Switch on the appliance using the on/off switch and switch off after use (Fig. 3a/b).
 - After the appliance has been switched off, the display goes out about 30 seconds later (power saving mode).
 - When the battery is fully charged, the appliance can be used for up to 90 minutes without mains connection.
 - The charge status of the battery is displayed by the battery power indicator (C).

When the battery has fully run down, the appliance switches itself off automatically.

- In case of insufficient maintenance of the blade set, the operating time can be reduced considerably.

MAINS OPERATION

1. Connect the appliance plug (I) on the plug-in transformer to the appliance socket (F) (Fig. 2a).
2. Connect the plug-in transformer to the mains socket (Fig. 2b).
3. Switch on the appliance using the on/off switch and switch off after use (Fig. 3a/b).

OPERATION

SETTING THE CUTTING LENGTH

The cutting length can be adjusted to between 0.7mm and 3mm (5 possible positions) using the cutting-length adjustment integrated into the blade set (Fig.5).

MAINTENANCE, CLEANING AND CARE.

- Lift the blade set out of the housing (Fig. 6a).
- Use the cleaning brush to remove any cut hairs from the housing opening and from the blade set (Fig. 7).
- The cleaning lever (Fig. 7b) can also be pressed. This allows the cut hairs that accumulate between the bottom blade and the top blade to be easily removed using the cleaning brush.
- Only wipe the appliance with a soft, slightly damp cloth
- Oil the blade set with the blade set oil (Fig. 8)
- For good and long-lasting cutting performance, it is important to oil the blade set frequently.
- If the cutting performance deteriorates after long use despite regular cleaning and oiling, the blade set should be replaced.

ATTACHING THE BLADE SET

1. For optimum performance we recommend that blades produced by Wahl or Moser are used with the Bravura trimmer.
2. Ensure the trimmer is switched off.
3. The small clip at the base of the blade above the blade adjustment lever should be aligned with the indentation on trimmer case. (Fig 6)
4. Lock the blade into place by pushing the blade towards the clipper until it snaps shut (Fig.6b)

REMOVING THE BLADE SET

1. Hold the trimmer firmly in one hand with the switch facing you.
2. Apply downward pressure to the centre of the blade pushing it away from the trimmer casing (Fig. 6a).
3. Take care to prevent the blade falling by placing your free hand under the blade to catch it.

AUTOMATIC SENSOR SYSTEM

To give you advance notice of an urgent need for maintenance care, this trimmer has been equipped with an automatic sensor system.

- The sensor system automatically recognises when the blade set needs oiling or cleaning.
- After the appliance is switched off, an acoustic signal will sound and the battery power indicator will flash for 2 minutes.
- The acoustic signal and the flashing of the battery power indicator can be cancelled (turned off) by briefly switching the appliance on and off.

- Before using the appliance again, it is strongly recommended to clean the appliance and oil the blade set. See section Maintenance, Cleaning and care.
- Failure to observe these instructions may result in damage to and early failure of the appliance, which will void all guarantee claims.

TRIMMER TROUBLESHOOTING

TRIMMER WILL NOT OPERATE

Adelar Is the battery fully charged and correctly inserted into the unit?

Figura Is the battery charged?

Bravura Is the battery charged?

BLADE SET IS CUTTING BADLY OR PULLING HAIR OUT.

Cause: Blade set is dirty or worn.

- Clean and oil the blade set (Fig.7/8); if this does not resolve the problem, replace the blade set (Fig. 6).

BATTERY LIFE IS TOO SHORT.

Cause: Blade set and housing opening are dirty.

- Clean and oil the blade set (Fig. 7/8).

A blade set that is very dirty and has not been oiled can halve the available battery life! If the blade set is clean and oiled and the battery life is still far too short, it is likely that the batteries are nearing the end of their life.

- Battery life generally decreases at a steady rate when the appliance is used on a day-to-day basis. The batteries used here are specially designed for professional and everyday use, but are also affected by this.

Battery power indicator light does not light up.

Cause: Appliance has not been correctly placed on the charging stand

- Ensure that the hand-held appliance has been correctly placed on the charging stand.

Cause: Defective power supply.

- Ensure that the plug-in transformer is plugged into the mains socket.
- Check the mains cable for possible damage.
- Check the power supply.

Entire battery power indicator is flashing

- Check whether the blade set is blocked and the blade is able to move.
- Switch the appliance on and off. If the entire display is flashing, please contact your specialist retailer or the Wahl Customer Service team.

Battery power indicator light does not light up.

Cause: Appliance has not been correctly placed on the charging stand.

WASTE ELECTRICAL & ELECTRONIC EQUIPMENT DIRECTIVE 2002/96/EC (WEEE)

At the end of this products life it should not be disposed of with general household waste. Care should be taken to dispose of in a suitable manner in accordance with your Local Authority regulation.

This marking indicates that this product should not be disposed with other household wastes throughout the EU.

To prevent possible harm to the environment or human health from uncontrolled waste disposal, recycle it responsibly to promote sustainable reuse or material resources. To return your used device, contact the retailer where the product was purchased.

They can take this product for environmental safe recycling.



GUARANTEE

This product is guaranteed against defects in material and workmanship for a period of twelve months from the date of original purchase or receipt as a gift.

The guarantee becomes invalid in the case of misuse or repair by unauthorised persons.

Should this product become defective during the warranty period, return it to the store of purchase together with your proof of purchase for repair or replacement without any charges to you.

This guarantee in no way affects your rights under statutory law in the United Kingdom.

CONTACT

Wahl (UK) Ltd Customer Services Department 01227 740066 for technical advice, service, blade sharpening and replacement parts.

www.wahl.co.uk

WAHL (UK) LTD
Sterling House
Clipper Close, Ramsgate
Kent, CT12 5GG
www.wahl.co.uk

Customer Service T: 01227 740066

Form No. ZB032
Rev.4 10-18

