



PROFESSIONAL

Single foil shaver

Please read all instructions carefully to familiarise yourself with your new Shaver before using.

Save these instructions for further reference.

For any further assistance or information call Customer Services on

T: 01227 740066

or visit

W: www.wahl.co.uk

E: customer.services@wahl.co.uk

CONTENTS

GENERAL USER INFORMATION	Page 3
IMPORTANT SAFEGUARDS	Page 4
DESCRIPTION OF PARTS	Page 8
OPERATING INSTRUCTIONS	Page 10
CLEANING & MAINTENANCE	Page 12
APPLIANCE DISPOSAL	Page 13
BATTERY REPLACEMENT, REMOVAL AND DISPOSAL	Page 14
TROUBLE SHOOTING	Page 14
GUARANTEE	Page 15

GENERAL USER INFORMATION

Information about using the operation manual

- ▶ Before using the appliance for the first time, you must read and understand the operation manual completely.
- ▶ Consider the operation manual as part of the product and store it in a safe and accessible place.
- ▶ Include this operation manual if passing the appliance on to a third party.
- ▶ In the case of conflicts with national safety specifications or instructions, the national requirements must be followed.

Explanation of symbols and notes



DANGER

Danger of electric shock which may result in serious physical injury or death.



DANGER

Danger of explosion which may result in serious physical injury or death.



WARNING

Warning of possible physical injury or a health risk.



CAUTION

Information about danger of material damage.



Note with useful information and tips.

- ▶ Action to be taken by owner.
- 1. Carry out these actions in the sequence described.
- List

Please retain this leaflet for future reference.

READ ALL INSTRUCTIONS BEFORE USING.

IMPORTANT SAFEGUARDS

For your own protection from injuries and electric shocks, the following information must be observed when using electrical equipment:

Requirements

- ▶ Read the operating manual in full and familiarise yourself with it before the first use
- ▶ This appliance can be used both by children from 8 years of age and persons with reduced physical, sensory or mental capabilities, or lack of experience and/or knowledge, if they have been given supervision or instruction concerning the use of the appliance in a safe way and understand the hazards involved.

Children must not play with the appliance. Cleaning and user maintenance must never be carried out by children, unless they are supervised.

- ▶ **Before the appliance is used for the first time, it should be charged for 16 hours.**

HAZARDS

- ▶ This product must only be used with the transformer supplied.



Danger! Electric shock due to damage to appliance/plug-in transformer.



WARNING: Do not use this appliance near bathtubs, showers, basins or other vessels containing water.

- ▶ Do not use the appliance if it is not working correctly, if it is damaged or if it has fallen into water.
- ▶ Never use the appliance if the mains cable or plug-in transformer is damaged.
- ▶ If the supply cord is damaged, it must be replaced by the manufacturer or a suitably qualified professional in order to avoid a hazard.



Danger! Electric shock due to penetration of liquid.

- ▶ Always position or store electrical equipment where it cannot fall into water (e.g. washbasin). Keep the appliance away from water and other

liquids.

- ▶ Never touch electrical equipment that has fallen into water or reach into water to retrieve it. Disconnect from the mains immediately. Have the appliance inspected at a service centre before using it again.
- ▶ Only use and store the appliance in dry rooms.



Danger of explosion!

- ▶ Do not attempt to replace the battery.
- ▶ Batteries may only be exchanged for types approved by the manufacturer and may only be replaced at service centres.
- ▶ Do not expose the appliance to temperatures below 0°C and above +40°C for any length of time. Avoid direct exposure to sunlight.
- ▶ Never use the product in an environment with a high concentration of aerosol (spray) products or in which oxygen is released.



Danger! Flammable!

- ▶ The appliance must never be sprayed with aerosol (spray) products classified as flammable.



Warning! Injuries due to incorrect handling.

- ▶ Never use the appliance if the shaver foil is damaged.



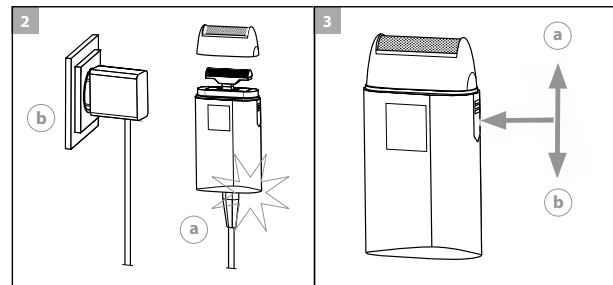
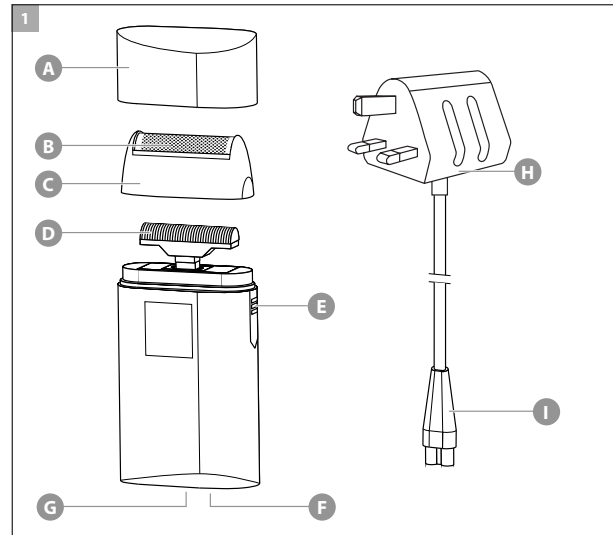
Caution! Injuries due to incorrect handling.

- ▶ Only use accessories recommended by the manufacturer.
- ▶ Only replace defective plug-in transformers with original spare parts which you can order via Wahl customer service.
- ▶ Never insert or allow objects to fall into the openings of the appliance.
- ▶ When disconnecting the appliance from the power supply, always pull the plug rather than the cable or the appliance.
- ▶ Keep the power supply cable and appliance away from hot surfaces.
- ▶ Make sure that the power supply cable is not twisted or kinked when charging or storing.

DESCRIPTION OF PARTS

SHAVER

- A. Protective cap
- B. Shaver foil
- C. Shaving head with shaver foil
- D. Cutter
- E. On/Off switch
- F. Charge indicator
- G. Charging port
- H. Transformer
- I. Small Charging Plug



OPERATING INSTRUCTIONS

CHARGING THE BATTERY

1. Switch off the appliance using the on/off switch (Fig. 1e).
2. Plug the small charging plug into the appliance charging port. (Fig 2a).
3. Plug the transformer into the socket (Fig 2b).
4. During charging, the green charge indicator light is illuminated.
5. It should take around 90 minutes for the appliance to charge to full capacity.

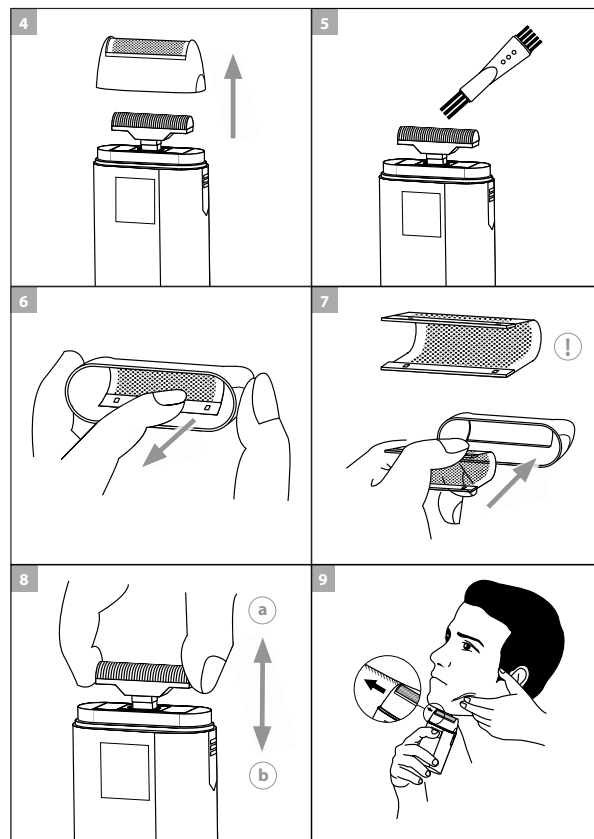
BATTERY OPERATION

- Switch on the appliance using the on/off switch (Fig.3a) and, after use, switch it off again (Fig. 3b).
- When the batteries are fully charged, the appliance can be used for up to 90 minutes without mains connection.

FOIL SHAVE

The shaving system perfectly adjusts to the contours of the face as well as the chin and the neck area to give you an optimum shaving result. Prior to shaving, it is recommended to clean the face and neck area thoroughly and to pat it dry.

- Gently press the shaver upward against the skin surface and shave against the direction of the beard growth (Fig.9). At the same time, pull the skin tight with your free hand so that the stubbles stand up.
- Avoid too much pressure on the shaver foil; this could lead to foil breakages.
- Use the protective cover when the appliance is not in use.
- The skin must get used to the foil shave. Generally, this takes 2 - 3 weeks.



CLEANING AND MAINTENANCE

- Do not immerse the appliance in water!
- Disconnect the power-supply before cleaning the appliance.
- After each use, remove the shaving head from the housing (Fig. 4), then tap it on a level surface and blow off the hair. Use the cleaning brush to clean the cutter (Fig. 5).
- The shaver foil must not be cleaned with the cleaning brush. Otherwise, the foil could be damaged.
- Only wipe the appliance with a soft or slightly damp cloth. Do not use solvents or scouring agents!
- Use the protective cap after cleaning.
- If the shaving performance deteriorates after long use despite regular cleaning, the cutter and the shaver foil should be replaced.
- Cutter and shaver foil (order no. 3615-7000) are available from your dealer or Wahl customer service

CHANGING THE CUTTER AND SHAVER FOIL

Replace the cutter and shaver foil as follows, if necessary:

1. Switch off the appliance using the on/off switch (Fig. 1e).
2. Changing of the shaver foil
 - a. Remove the protective cap from the shaving head.
 - b. Remove the shaving head together with the shaver foil (Fig. 4).
 - c. Pull out the shaver foil from the shaving head (Fig. 6).
 - d. Inserting the new shaver foil is done by holding it only on its side and sliding it into the shaving head as far as it will go (Fig. 7).
3. Changing the cutter
 - a. Hold the cutter on its side and remove it from the holder (Fig. 8a).
 - b. Attach the new cutter and press it downward (Fig. 8b).
4. Reattach the shaving head together with the shaver foil and let them snap into place.

DISPOSAL



Handle with care! Environmental damage in the event of incorrect disposal.

- ▶ Discharge batteries prior to disposal!
- ▶ Correct disposal will ensure environmental protection and prevent any potentially harmful impact on people and the environment.

Adhere to the relevant legal requirements when disposing of the appliance.

LITHIUM-ION BATTERY REPLACEMENT REMOVAL AND DISPOSAL

For battery replacement the entire, intact clipper or trimmer should be sent to: Wahl (UK) Ltd Customer Services (the address can be found on the reverse of this booklet) or taken to a suitably qualified professional. The battery should only be replaced by the original manufacturers spare, for safety reasons a substitute should not be used.

Do not attempt to remove the battery. Lithium-Ion batteries can explode, catch fire, and/or cause burns if disassembled, damaged or exposed to water or high temperatures.

LITHIUM BATTERY DISPOSAL

Do not dispose of this product or the Lithium battery in the normal household waste.

The product should be returned to Wahl Customer Services where we offer a take back service or taken to a local collection facility where they will be dealt with safely and sent for the appropriate recycling.

WIRING



WARNING: THIS PRODUCT MUST ONLY BE USED WITH THE TRANSFORMER SUPPLIED. SHOULD A REPLACEMENT BE REQUIRED CONTACT WAHL CUSTOMER SERVICE ON 01227 740066.

TROUBLESHOOTING

If your product fails to operate when switched 'ON' make sure switch is in the 'ON' position. If it still does not operate, your batteries have probably exceeded their useful life.

WASTE ELECTRICAL & ELECTRONIC EQUIPMENT DIRECTIVE 2012/19/EU (WEEE)



At the end of this products life it should not be disposed of with general household waste. Care should be taken to dispose of in a suitable manner in accordance with your Local Authority regulation.

GUARANTEE

This product is guaranteed against defects in material and workmanship for a period of 1 year from the date of original purchase or receipt as a gift.

Should this product become defective during the guarantee period, return it to the store of purchase together with your proof of purchase for repair or replacement

Alternatively within the guarantee period you can return the product to Wahl (UK) Ltd who will repair any such defect or elect to replace the product or any part of it, without charge, provided that there is proof of purchase. Should a replacement be offered this will not extend the original guarantee period.

The guarantee becomes invalid in the case of misuse, alteration or repair by unauthorised persons.

This guarantee does not include blades, cables, shaver heads, foils and cutters etc., which are consumable parts.

This product is designed for domestic use only and use within a professional environment will invalidate the guarantee.

This guarantee in no way affects your rights under statutory law in the United Kingdom.

FOIL WEAR IS NOT COVERED UNDER THE TERMS OF GUARANTEE

WAHL (UK) LTD
STERLING HOUSE
CLIPPER CLOSE
RAMSGATE
KENT, CT12 5GG

CUSTOMER SERVICES T: 01227 740066
www.wahl.co.uk

Form No. ZC155 Rev0 06/22